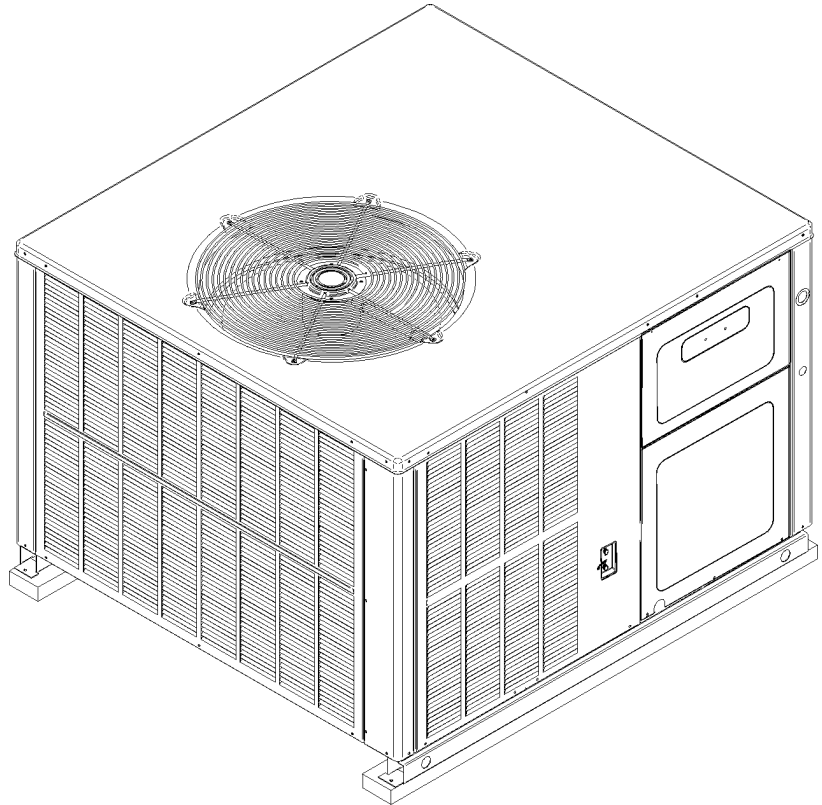




REPAIR PARTS

GPC13 Multi-Position Cooling Unit

GPC1336M21AA
GPC1336M21AB
GPC1336M23AA
GPC1348M21AA
GPC1348M21AB
GPC1348M23AA
GPC1348M23AB
GPC1360M21AA
GPC1360M21AB
GPC1360M23AA
GPC1360M23AB



This manual is to be used by qualified technicians only.

This manual replaces RP-450D.

© 2007-2009, 2015 Goodman Company, L.P. ♦ 5151 San Felipe St., Suite 500 ♦ Houston, TX 77056

Important Information

Index

Functional Parts List	3
Illustration and Parts	4 - 11

Views shown are for parts illustrations only, not servicing procedures

Text Codes:

AR - As Required

NA - Not Available

NS - Not Shown

00000000 - See Note

QTY - Quantity Example (QTY 3) (If Quantity not shown, Quantity = 1)

M - Model Example (M1) (If M Code not shown, then part is used on all Models)

Expanded Model Nomenclature:

Example M1 - Model#1 M2 - Model#2 M3 - Model#3

Goodman Company, L.P. is not responsible for personal injury or property damage resulting from improper service. Review all service information before beginning repairs.

Warranty service must be performed by an authorized technician, using authorized factory parts. If service is required after the warranty expires, Goodman Company, L.P. also recommends contacting an authorized technician and using authorized factory parts.

Goodman Company, L.P. reserves the right to discontinue, or change at any time, specifications or designs without notice or without incurring obligations.

For assistance within the U.S.A. contact:

Consumer Affairs Department

Goodman Company, L.P.

7401 Security Way

Houston, Texas 77040

877-254-4729-Telephone

713-863-2382-Facsimile

For assistance outside the U.S.A. contact:

International Division

Goodman Company, L.P.

7401 Security Way

Houston, Texas 77040

713-861-2500-Telephone

713-863-2382-Facsimile

Functional Parts

Part

No: Description:

0130M00014	240 VOLT RELAY (M1, M2)
11119203	BLOWER MOTOR (M1, M2, M3)
D6723303	BLOWER WHEEL
CAP050550440CT	CAP, 5/55 MFD/440V/DUAL RD (M4, M5)
CAP150000370LA	CAPACITOR 15/370V (M1, M2, M3)
CAP050350440CS	CAPACITOR 5/35/440V (M1, M2)
CAP050000370LA	CAPACITOR 5/370V (M3, M6, M7, M10, M11)
CAP050800440RT	CAPACITOR 5/80/440V (M8, M9)
CR28K7TF5230	COMP,28000,200/230/60/3 (M3)
ZR52K3TF5230	COMP,52000,200/230/60/3 (M10, M11)
ZR52K3PFV250	COMP,52000,208/230/60/1 (M8, M9)
CR28K7PFV230	COMPRESSOR 28300, 208/230/60/1 (M1, M2)
ZR42KATF5130	COMPRESSOR 42200, 200/230/60/3 (M6, M7)
ZR42KAPFV130	COMPRESSOR 42200, 208/230/60/1 (M4, M5)
0131M00430	COND MOTOR 1/3 HP, 1 SP, 6 PL (M4, M6, M8, M10)
0131M00429	COND MOTOR 1/4 HP, 1 SP,6 PL (M1, M2, M3, M5, M7, M9, M11)
CONT1P025024V	CONTACTOR 25 AMP, 1P, 24V (M1, M2)
CONT3P025024V	CONTACTOR 25 AMP, 3P, 24V (M3, M6, M7, M10, M11)
CONT2P040024V	CONTACTOR 40 AMP, 2P, 24V (M4, M5, M8, M9)
PCBFM103	ELECTRONIC BLOWER TIME DELAY (M1, M2, M3)
0131M00523	MOTOR - 1 HP PROGRAMMED SELEC (M8, M9, M10, M11)
0131M00528	MOTOR - 3/4 HP PROGRAMMED SELE (M4, M5, M6, M7)
0130M00138	TRANSFORMER 208/230, 24V

SPECIAL PARTS

B10259251 GOODMAN LABEL

Expanded Model Nomenclature

M1 - GPC1336M21AA
M2 - GPC1336M21AB
M3 - GPC1336M23AA
M4 - GPC1348M21AA
M5 - GPC1348M21AB
M6 - GPC1348M23AA
M7 - GPC1348M23AB
M8 - GPC1360M21AA
M9 - GPC1360M21AB
M10 - GPC1360M23AA
M11 - GPC1360M23AB

Cabinet Assembly

Image 1

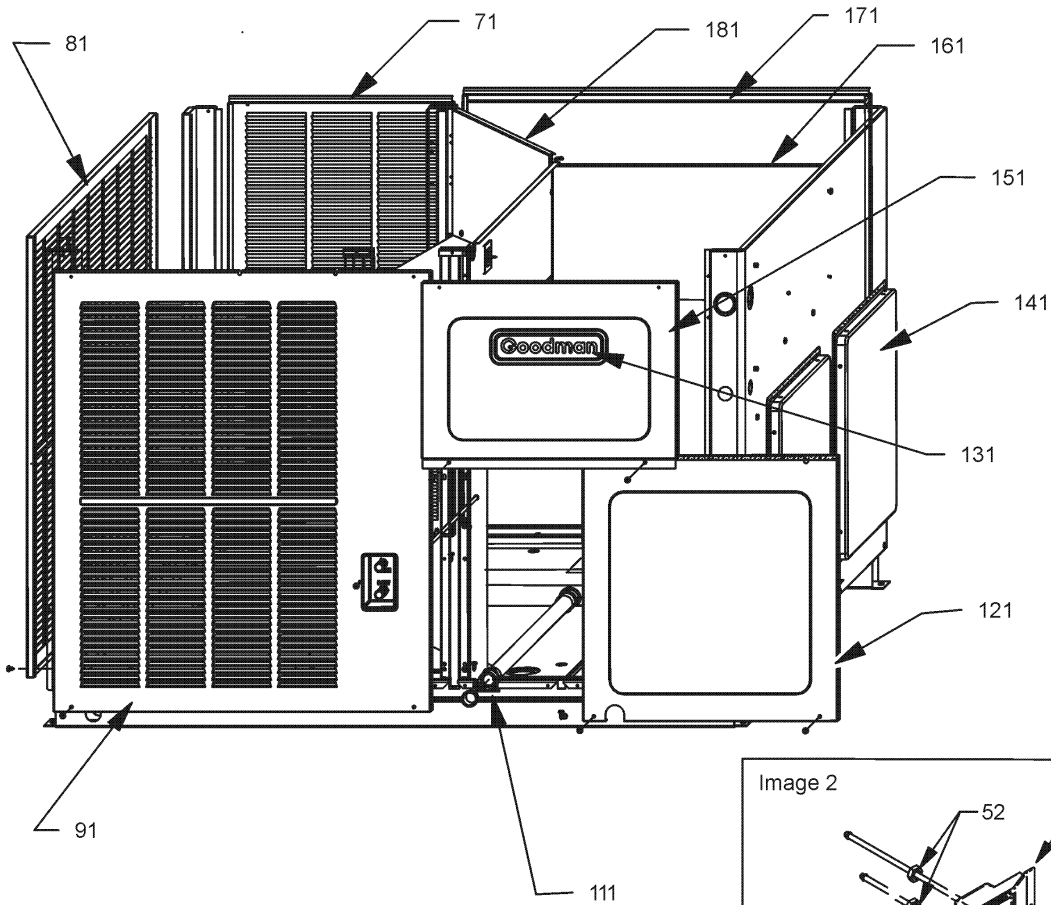
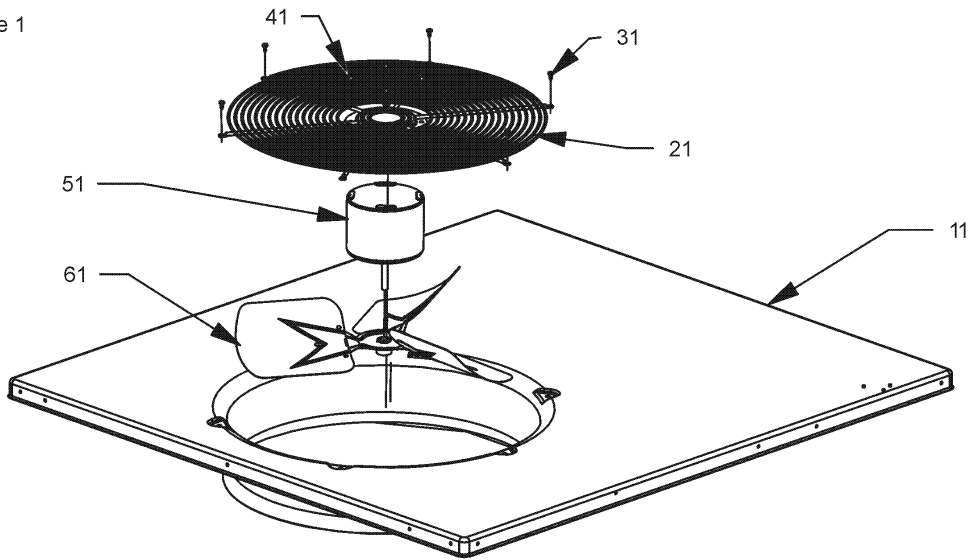
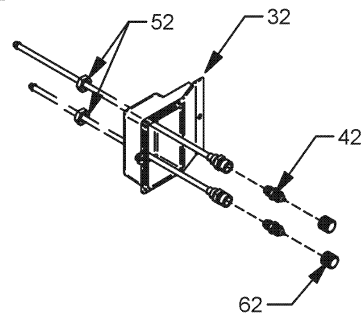


Image 2



Cabinet Assembly

Ref. Part No:	Description:	Ref. Part No:	Description:
Image 1:		Expanded Model Nomenclature	
11	0121G00156PDG TOP PANEL	M1	GPC1336M21AA
21	0152G00003 FAN GRILLE (M1, M3, M4, M6, M8, M10)	M2	GPC1336M21AB
21	0152G00000 RAISED FAN GRILLE (M2, M5, M7, M9, M11)	M3	GPC1336M23AA
31	M0221817 SMALL SCREW (QTY 4)	M4	GPC1348M21AA
41	0163M00006P ACORN NUT 5/16 HEX BLACK (QTY 4)	M5	GPC1348M21AB
51	0131M00430 COND MOTOR 1/3 HP, 1 SP, 6 PL (M4, M6, M8, M10)	M6	GPC1348M23AA
51	0131M00429 COND MOTOR 1/4 HP, 1 SP, 6 PL (M1, M2, M3, M5, M7, M9, M11)	M7	GPC1348M23AB
51	0121G00213DG CONTROL BOX PANEL	M8	GPC1360M21AA
61	0150G00001 FAN BLADE (M4, M6, M8, M10)	M9	GPC1360M21AB
61	B1086773 FAN BLADE 22" (M1, M3)	M10	GPC1360M23AA
61	0150G00002 FAN BLADE SWEEP-WING (M2)	M11	GPC1360M23AB
61	0150M00011 FAN BLADE SWEEP-WING (M5, M7, M9, M11)		
71	20467701PDG LOUVERED PANEL, COND SIDE 32" (M1, M2, M3)		
71	20467702PDG LOUVERED PANEL, COND SIDE 40" (M4, M5, M6, M7, M8, M9, M10, M11)		
81	20464401PDG LOUVERED PANEL, COND SIDE 32" (M1, M2, M3)		
81	20464402PDG LOUVERED PANEL, COND SIDE 40" (M4, M5, M6, M7, M8, M9, M10, M11)		
91	0121G00147PDG LOUVERED PANEL 4 BANK 40", COMP SIDE (M8, M9, M10, M11)		
91	0121G00223DG SOLID PANEL COMPRESSOR 32.5" (M1, M2, M3)		
91	0121G00224DG SOLID PANEL COMPRESSOR 40" (M4, M5, M6, M7)		
111	0261G00000 DRAIN PIPE		
121	0121G00165PDG PNL, BLO, CNVRT, 32.5", PNT (M1, M2, M3)		
121	0121G00168PDG PNL, BLO, CNVRT, 40", PNT (M4, M5, M6, M7, M8, M9, M10, M11)		
131	B10259251 GOODMAN LABEL		
141	20464501PDG *BACK DUCT COVER 27" & 32" (M3) Effective July 2008 (serial codes 0807), single phase units will no longer be factory shipped with horizontal duct covers. For downshot applications, contact your local Goodman distributor.		
141	20464502PDG *BACK DUCT COVER 40" (M6, M7, M10, M11) Effective July 2008 (serial codes 0807), single phase units will no longer be factory shipped with horizontal duct covers. For downshot applications, contact your local Goodman distributor.		
151	0121G00213DG CONTROL BOX PANEL		
161	0121G00591 BLK-OFF, EVAP, TOP, CNVRT (M4, M5, M6, M7, M8, M9, M10, M11)		
161	0121G00592 BLK-OFF, EVAP, TOP, CNVRT (M1, M2, M3)		
171	20464801PDG BLOWER DOOR 32" (M1, M2, M3)		
171	20464806PDG BLOWER DOOR 40" (M4, M5, M6, M7, M8, M9, M10, M11)		
181	0221G00013P FAN SHROUD		
NS	17788000083F PVC CONDUIT 8.25"		
Image 2:			
32	0161G00008 ACCESS FITTING BOX		
42	B1373315 ACCESS FITTING (QTY 2)		
52	0163G00000P FASTEST FITTING NUT (QTY 2)		
62	0163M00175 CAP W/O-RING (QTY 2)		

Partition Panel/Compressor

Image 1

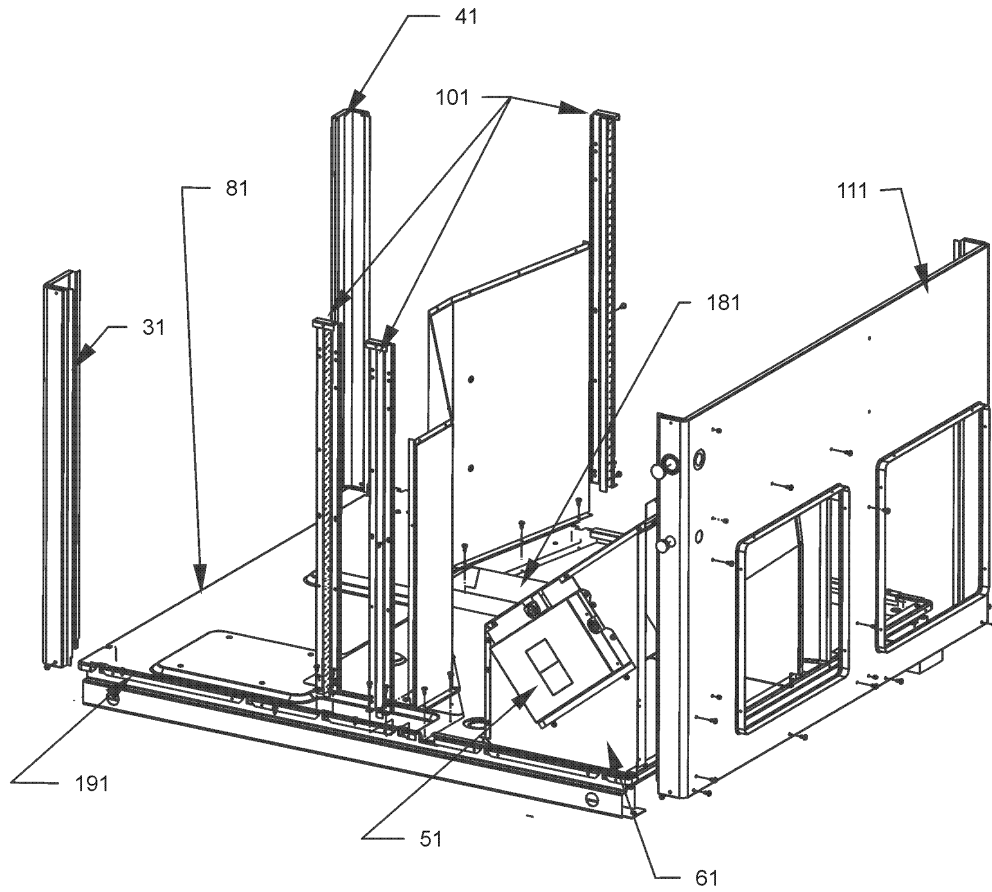


Image 2

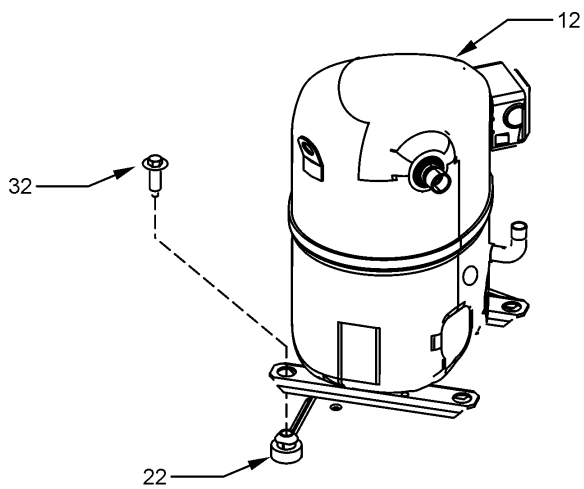
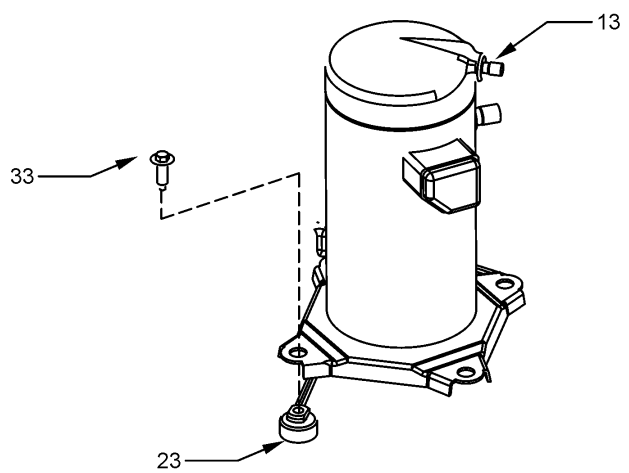


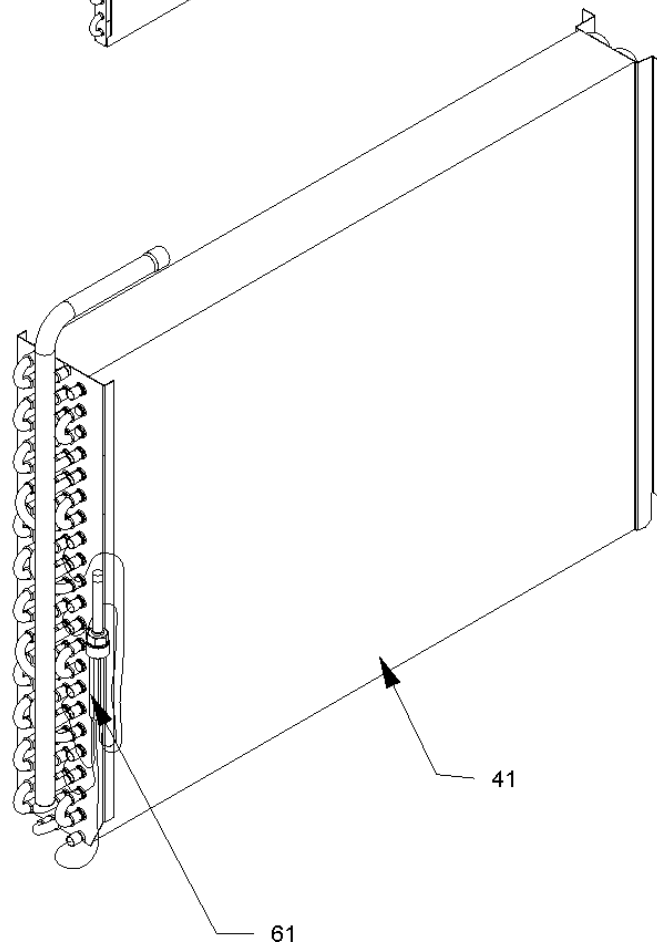
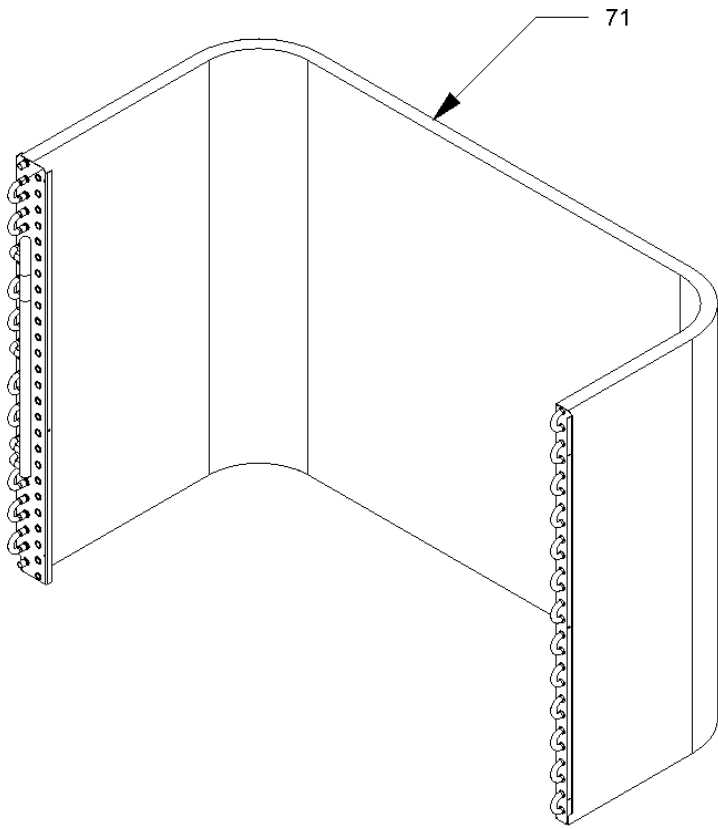
Image 3



Partition Panel/Compressor

Ref. Part No: No:	Description:	Ref. Part No: No:	Description:
Image 1:		Expanded Model Nomenclature	
31	20464201PDG	CORNER POST-COMP END 32" (M1, M2, M3)	M1 - GPC1336M21AA
31	20464202PDG	CORNER POST-COMP END 40" (M4, M5, M6, M7, M8, M9, M10, M11)	M2 - GPC1336M21AB
41	20464301PDG	CORNER POST-HAIRPIN END 32" (M1, M2, M3)	M3 - GPC1336M23AA
41	20464302PDG	CORNER POST-HAIRPIN END 40" (M4, M5, M6, M7, M8, M9, M10, M11)	M4 - GPC1348M21AA
51	0121G00528	HEATER KIT COVER (QTY 2)	M5 - GPC1348M21AB
61	0221G00014	BLOWER TRANSITION ASSY	M6 - GPC1348M23AA
81	0121G00444	BASE PAN	M7 - GPC1348M23AB
101	0121G00460	SUPPORT POST 32" (M1, M2, M3)	M8 - GPC1360M21AA
101	0121G00462	SUPPORT POST 40" (M4, M5, M6, M7, M8, M9, M10, M11)	M9 - GPC1360M21AB
111	0121G00440DG	DUCT PANEL 32" (M1, M2, M3)	M10 - GPC1360M23AA
111	0121G00441DG	DUCT PANEL 40" (M4, M5, M6, M7, M8, M9, M10, M11)	M11 - GPC1360M23AB
181	0161G00003	PLASTIC DRIP PAN	
191	0121G00290	BASE PAN RAIL (QTY 2)	
NS	0121G00529	HK ADAPTER PLATE COVER	
NS	0121G00148	SINGLE COVER, DOWN DISCHARGE (QTY 2)	
NS	B1219212	SINGLE-FLOW FILTER DRIER, STEEL (M1, M2, M3)	
NS	B1219225	SINGLE-FLOW FILTER DRIER, STEEL (M4, M5, M6, M7, M8, M9, M10, M11)	
Image 2:			
12	CR28K7TF5230	COMP,28000,200/230/60/3 (M3)	
12	CR28K7PFV230	COMPRESSOR 28300, 208/230/60/1 (M1, M2)	
22	B1339530	COMPRESSOR GROMMET (M1, M2, M3)	
32	M0221641	TF SHOULDER SCREW (M1, M2, M3)	
NS	0259G00053	COMPRESSOR HARNESS (M3)	
NS	0259G00060	COMPRESSOR HARNESS (M1, M2)	
Image 3:			
13	ZR52K3TF5230	COMP,52000,200/230/60/3 (M10, M11)	
13	ZR52K3PFV250	COMP,52000,208/230/60/1 (M8, M9)	
13	ZR42KATF5130	COMPRESSOR 42200, 200/230/60/3 (M6, M7)	
13	ZR42KAPFV130	COMPRESSOR 42200, 208/230/60/1 (M4, M5)	
23	B1339533	COMPRESSOR GROMMET (M4, M5, M6, M7, M8, M9, M10, M11)	
33	M0221641	TF SHOULDER SCREW (M4, M5, M6, M7, M8, M9, M10, M11)	
NS	0159G00003	COMPRESSOR HARNESS (M6, M7)	
NS	0259G00061	COMPRESSOR HARNESS (M8, M9)	
NS	0259G00062	COMPRESSOR HARNESS (M10, M11)	
NS	20048211	COMPRESSOR HARNESS (M4, M5)	

Coil/Evap Assembly



Coil/Evap Assembly

Ref. Part No:	No:	Description:	Ref. Part No:	No:	Description:
---------------	-----	--------------	---------------	-----	--------------

Image 1:

41	0202G00003P	TUBING ASSY, EVAP COIL (M4, M5, M6, M7)
41	0202G00113	TUBING ASSY, EVAP COIL (M8, M9, M10, M11)
41	0202G00114	TUBING ASSY, EVAP COIL (M1, M2, M3)
61	B2114671	FLOWRATOR .071 (M1, M2, M3)
61	B2114882	FLOWRATOR .082 [EVAP] (M4, M5, M6, M7)
61	0162M00020P	FLOWRATOR .090 (M8, M9, M10, M11)
71	0201G00151	COND COIL TUBING ASSY (M4, M5, M6, M7)
71	4306010	COND COIL TUBING ASSY (M1, M2, M3)
71	0201G00093	TUBING ASSY, COND COIL (M8, M9, M10, M11)

Expanded Model Nomenclature

M1 - GPC1336M21AA
M2 - GPC1336M21AB
M3 - GPC1336M23AA
M4 - GPC1348M21AA
M5 - GPC1348M21AB
M6 - GPC1348M23AA
M7 - GPC1348M23AB
M8 - GPC1360M21AA
M9 - GPC1360M21AB
M10 - GPC1360M23AA
M11 - GPC1360M23AB

Control Panel/Blower Assembly

Image 1

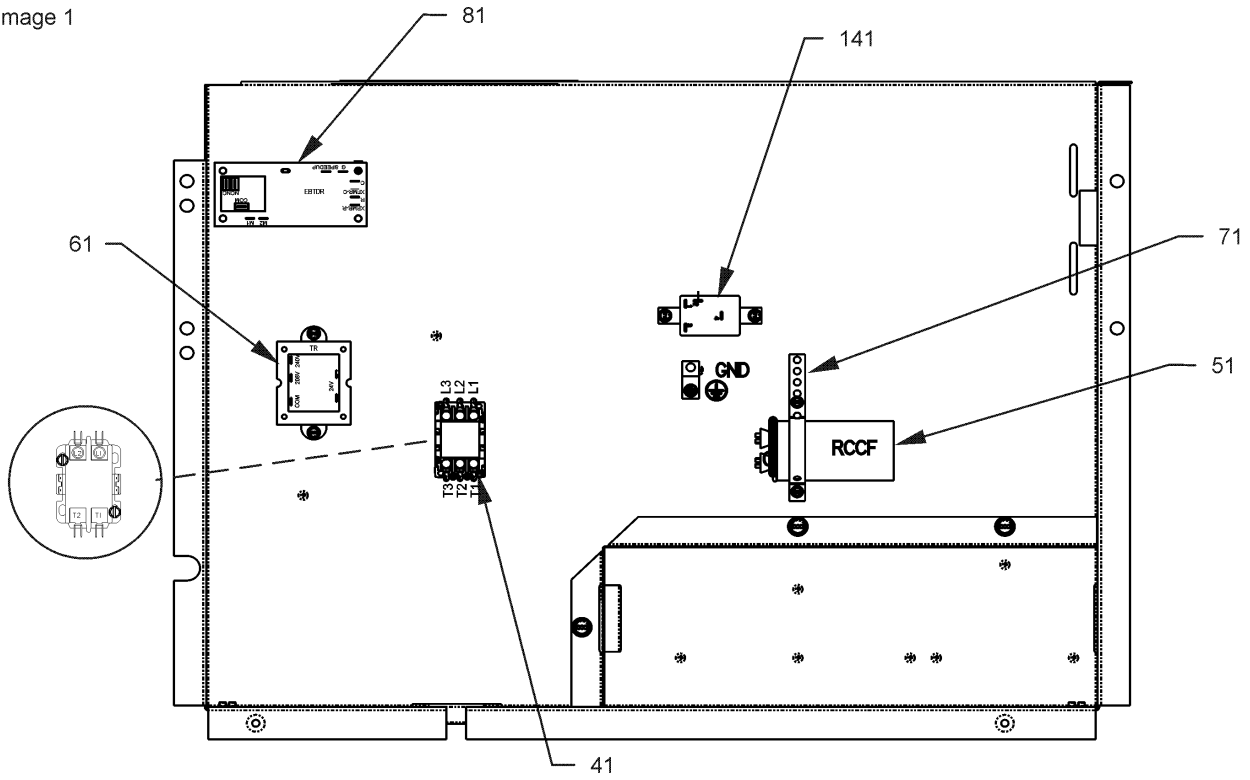
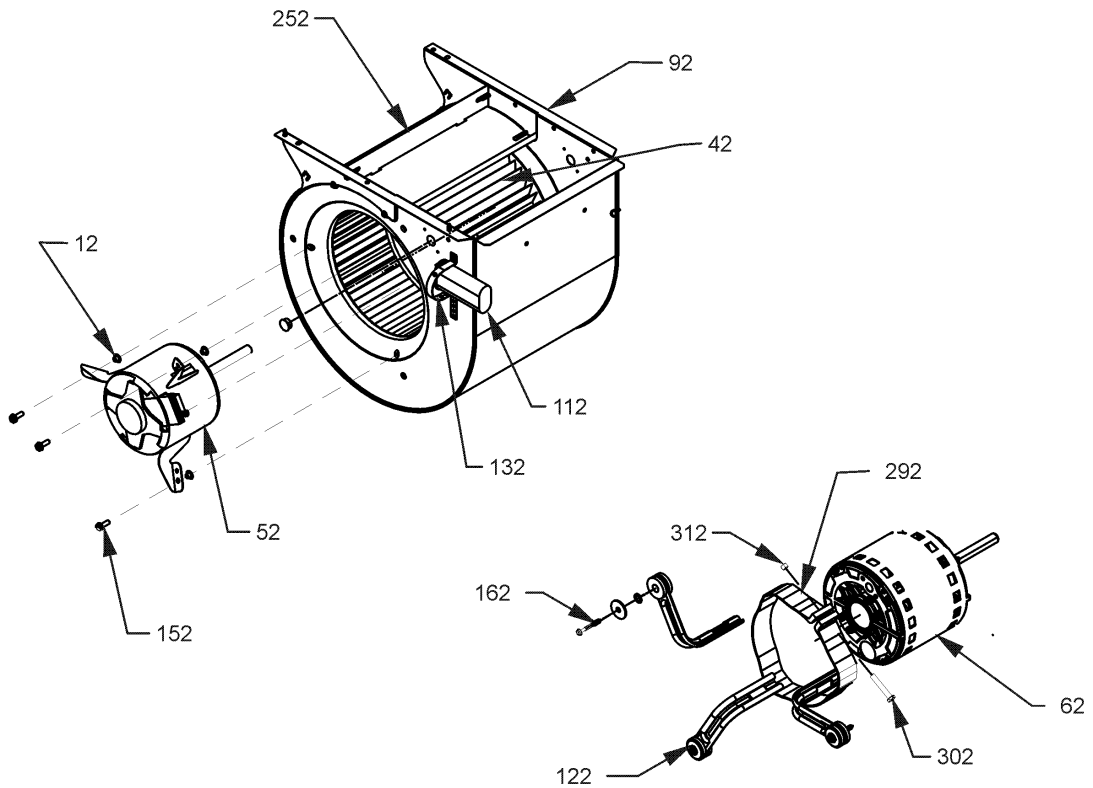


Image 2



Control Panel/Blower Assembly

Ref. Part No: No:	Description:	Ref. Part No: No:	Description:
Image 1:		Expanded Model Nomenclature	
41	CONT1P025024V CONTACTOR 25 AMP, 1P, 24V (M1, M2)	M1 - GPC1336M21AA	
41	CONT3P025024V CONTACTOR 25 AMP, 3P, 24V (M3, M6, M7, M10, M11)	M2 - GPC1336M21AB	
41	CONT2P040024V CONTACTOR 40 AMP, 2P, 24V (M4, M5, M8, M9)	M3 - GPC1336M23AA	
51	CAP050550440CT CAP, 5/55 MFD/440V/DUAL RD (M4, M5)	M4 - GPC1348M21AA	
51	CAP050350440CS CAPACITOR 5/35/440V (M1, M2)	M5 - GPC1348M21AB	
51	CAP050000370LA CAPACITOR 5/370V (M3, M6, M7, M10, M11)	M6 - GPC1348M23AA	
51	CAP050800440RT CAPACITOR 5/80/440V (M8, M9)	M7 - GPC1348M23AB	
61	0130M00138 TRANSFORMER 208/230, 24V	M8 - GPC1360M21AA	
71	20520901 CAPACITOR STRAP	M9 - GPC1360M21AB	
81	PCBFM103 ELECTRONIC BLOWER TIME DELAY (M1, M2, M3)	M10 - GPC1360M23AA	
141	0130M00014 240 VOLT RELAY (M1, M2)	M11 - GPC1360M23AB	
NS	0259G00038 WIRE HARNESS, ECONOMIZER (M3, M6, M7, M10, M11)		
NS	0259G00001P WIRE HARNESS, ELECTRIC HEAT (M3)		
NS	0259G00004 WIRE HARNESS, ELECTRIC HEAT (M1, M2)		
NS	0259G00021 WIRE HARNESS, ELECTRIC HEAT (M4, M5, M6, M7, M8, M9, M10, M11)		
Image 2:			
12	B1392143 GROMMET, 26TAL F/TORSIN FLEX (M1, M2, M3)		
42	D6723303 BLOWER WHEEL		
52	11119203 BLOWER MOTOR (M1, M2, M3)		
62	0131M00523 MOTOR - 1 HP PROGRAMMED SELEC (M8, M9, M10, M11)		
62	0131M00528 MOTOR - 3/4 HP PROGRAMMED SELE (M4, M5, M6, M7)		
92	0271G00024 BLOWER HOUSING ASSY 10 X 9		
112	CAP150000370LA CAPACITOR 15/370V (M1, M2, M3)		
122	B1376857 MOTOR MOUNT ARM (M4, M5, M6, M7, M8, M9, M10, M11)		
132	20520901 CAPACITOR STRAP		
152	M0250558 TC SCREW (M1, M2, M3)		
162	M0250565 TC SCREW 1.25" (M4, M5, M6, M7, M8, M9, M10, M11)		
252	764742 BLOWER BLOCK-OFF		
292	0121M00038 MOTOR MOUNT BAND (M4, M5, M6, M7, M8, M9, M10, M11)		
302	B1393323 MACHINE SCREW HWH 1/4-20 X 1-1/2 BZ (M4, M5, M6, M7, M8, M9, M10, M11)		
312	B1393800 LOCKNUT, NYLON, INSERT 1/4, 20 (M4, M5, M6, M7, M8, M9, M10, M11)		
NS	0259G00056 BLOWER HARNESS (M1, M2, M3)		
NS	0259G00057 BLOWER HARNESS (M4, M5, M8, M9)		
NS	0259G00059 BLOWER HARNESS (M6, M7, M10, M11)		
NS	B821700 CAPACITOR BOOT (M1, M2, M3)		